

CASA AAM & RPAS Roadmap

The RPAS and AAM Strategic Regulatory Roadmap



ISBN: 978-1-921475-98-6 (PDF)

© Commonwealth of Australia 2022



With the exception of the Coat of Arms and all photos and graphics, this publication is licensed under a Creative Commons Attribution 4.0 International Licence. The Creative Commons Attribution 4.0 International Licence is a standard form licence agreement that allows you to copy, distribute, transmit and adapt this publication provided that you attribute the work.

The full licence terms are available from: www.creativecommons.org/licenses/by/4.0/.

The Civil Aviation Safety Authority asserts the right to be recognised as the author of the original material in the following manner:

The document must be attributed as the Civil Aviation Safety Authority RPAS and AAM Strategic Regulatory Roadmap.



Table of contents

Foreword	2
Introduction	3
What is RPAS?	3
What is AAM?	4
Challenges and principles	5
Developing the roadmap	6
Reporting	6
The roadmap	7
Roadmap activities	8
Immediate term (2022 to 2023)	8
Supporting Activities	9
Near term (2023 to 2026)	10
Medium term (2026 to 2031)	11
Long term (2031 to 2036)	12
Glossary	13

Foreword

The Civil Aviation Safety Authority (CASA) was among the first regulators to recognise that the development of remotely piloted aircraft systems (RPAS) would have a significant impact on aviation.

We brought in RPAS legislation ahead of many other countries and we continued to sharpen our focus on emerging technology over the years.

The RPAS and Advanced Air Mobility (AAM) Strategic Regulatory Roadmap (the roadmap) is a logical extension of that approach.

We are committed to advancing these pioneering technologies and see this roadmap as a priority as we frame the future of Australian aviation.

The roadmap outlines our expectation that RPAS will have expansive access to lower-level airspace by 2026 and acknowledges the emergence of advanced technologies such as electric vertical take-off and landing aircraft.

We know that the pace of change means no one organisation can solve all the complex issues that need to be addressed.

However, we wanted to provide a plan that outlined the long-term vision for the Australian RPAS and AAM regulatory regime as well as the integration of these technologies into the civil aviation system.

The document that was developed and strongly informed by industry feedback is intended to provide clarity about CASA's regulatory and safety approach in the next 5 to 15 years.

It aims to demystify regulations and ensure they are appropriate while promoting streamlined digital processes and stimulating innovation and research.

From operations to infrastructure and training, our aim is to support the industry as it undergoes a technological renaissance.

We are facing a fascinating journey that we know will not be without its challenges.

This roadmap marks an important milestone in that journey and I commend it not just to RPAS and AAM operators, but to everyone who uses our skies.

It is important to recognise that the roadmap is a live document that will be updated to reflect the needs of industry and technology developments as they mature.

A handwritten signature in blue ink, appearing to read 'Pip Spence', is displayed on a light blue rectangular background.

Pip Spence PSM Chief Executive Officer and Director of Aviation Safety

Introduction

The roadmap provides clarity about Australia's future approach to aviation safety regulation and oversight for RPAS and AAM. It provides a plan for the long-term vision for these sectors supported by acceptable levels of safety.

The roadmap is complementary to the National Emerging Aviation Technologies (NEAT) Policy Statement and other whole-of-government initiatives, such as the Australian Future Airspace Framework (AFAF) and Uncrewed aircraft systems Traffic Management (UTM) development.

CASA is responsible for the regulation of aviation safety which is the focus of the activities in the roadmap. Where necessary CASA will work with other government agencies to support the regulation of other aspects of RPAS and AAM operations.

The RPAS and AAM landscape is also only one of several significant, and often interrelated, emerging technology areas in aviation. CASA will continue to work on safety aspects across all these areas.

What is RPAS?

Commonly referred to as drones, RPAS are different from other aircraft because they have no pilot or crew onboard.

The term 'RPAS' is commonly used to refer to the aircraft itself, but the term also includes all components of the system required for an operation. This includes:

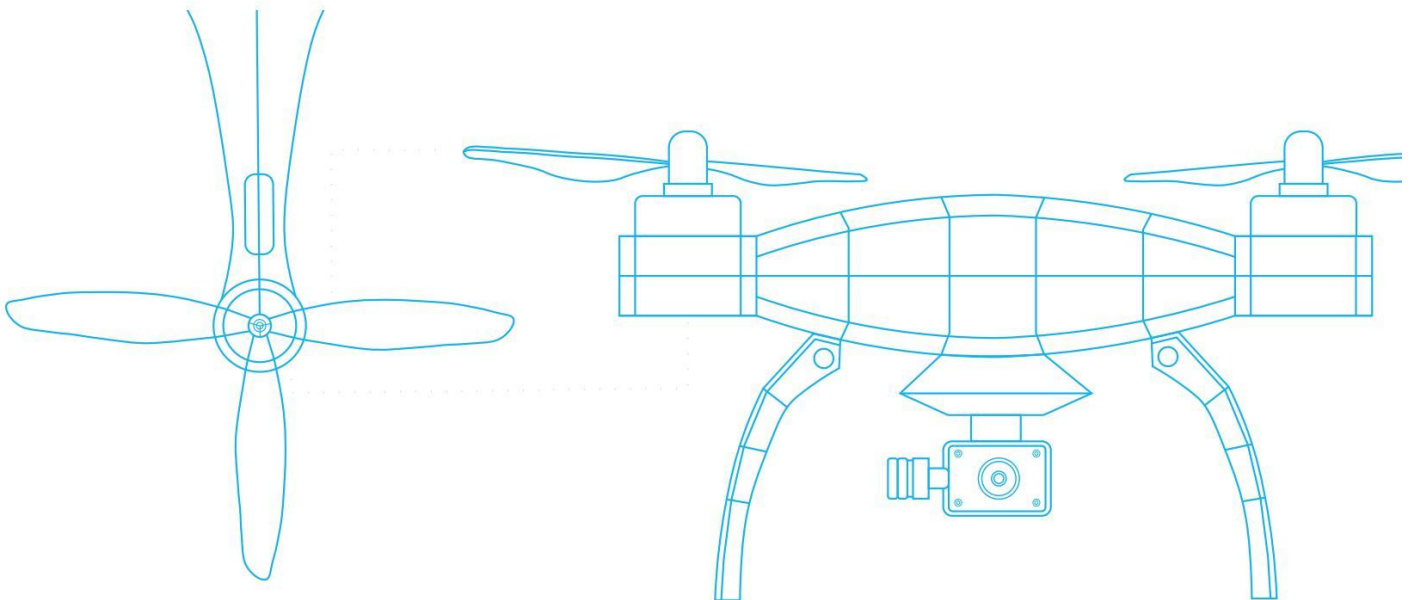
ground control stations

telemetry and communications

sensors

other hardware and software used to operate the aircraft.

While there isn't a globally agreed definitional difference between RPAS and AAM, for the purpose of this roadmap RPAS refers to operations that use smaller aircraft with no passengers onboard.



What is AAM?

AAM describes a range of aircraft types (both crewed and uncrewed) which will transport passengers and larger freight.

The ongoing advancement in this sector are a flow on from the progress being made in:

hybrid and electrification of propulsion systems

energy storage

lightweight materials

digitalisation

automation.

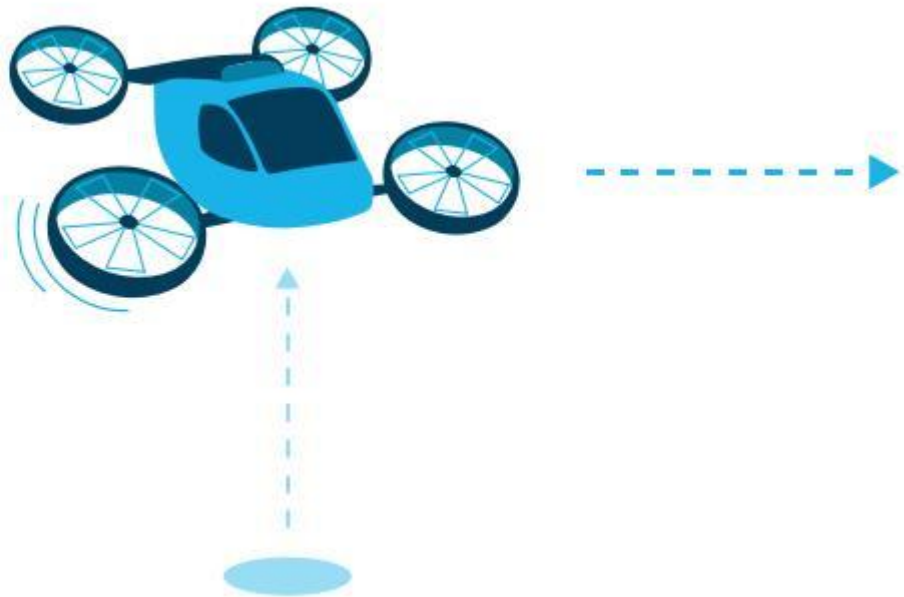
These innovations have made possible an array of new vehicle types spanning multi-rotor, tilt wing, tilt-rotor, powered wing, offering short take-off and landing (STOL) through to vertical take-off and landing (VTOL) capabilities.

The performance and level of automation of these types varies a lot, with different AAM concepts largely falling into 2 operational sub-categories:

Urban air mobility (UAM) - short to medium range and endurance designed for low altitude point-to-point passenger or cargo carrying tasks in, and between, urban areas.

Regional air mobility (RAM) - short to medium range and endurance designed for low altitude point-to-point passenger or cargo carrying tasks between regional areas.

Multi-rotor VTOL





Challenges and principles

The RPAS and AAM sectors are rapidly evolving. While the roadmap charts a long-term vision for the safety regulation of these sectors, there remains significant uncertainty about the longer-term needs of these sectors.

The defining challenges of the RPAS and AAM sectors are:

Diversity – the sector spans aircraft of unique types, of all sizes, and with varying degrees of complexity.

Pace of innovation – these sectors are rapidly evolving, and there is a high pace of innovation across technology and concepts of operation.

Scale – the number of RPAS operating in Australia is greater than the number of existing airspace users combined. The size of the AAM sector is expected to follow a similar trend to RPAS.

Disruptive – these technologies differ from traditional approaches to aviation. The aviation ecosystem will need to adapt to accommodate these technologies and ensure their safe integration.

Autonomy – automation and human

machine interactions are expected to be important in supporting sector growth, however these technologies also pose great regulatory challenges that need to be monitored and addressed.

To address the challenges posed by these sectors, the activities in the roadmap are guided by the following principles:

Safety first – safety must be placed first. The roadmap has been designed to deliver acceptable levels of safety performance for all aviation operations.

Risk and outcome-based – greater flexibility is achieved through a legislative structure that is outcome-based. Regulations should not prescribe solutions. Regulation and oversight should also be proportionate to the safety hazards and associated risks being managed.

Adaptive and scalable – the legislative

structure needs to be able to respond to changing risk profiles and the dynamic needs of evolving sectors. It should also account for the size of the sector and pragmatic constraints, such as available regulatory resources.

Progressive and internationally aligned

– the regulatory framework will be phased in its development and implementation, while remaining consistent with a longerterm vision. It should seek to align with, adopt or adapt international standards and regulations where beneficial in the Australian context. It should also consider appropriate alignment with Australia’s defence aviation safety regulations.

Balanced and socially responsible –

the framework should achieve the required safety outcomes with consideration for the cost burden imposed on industry, while also accounting for broader community interests and expectations.

Developing the roadmap

The Department of Infrastructure, Transport, Regional Development and Communications (DITRDC) released the NEAT Policy Statement on 6 May 2021. This statement tasked CASA with producing a safety regulatory roadmap on RPAS and AAM. The purpose of this roadmap is to set CASA’s policy direction for RPAS and AAM regulations.

CASA developed the initial roadmap with industry experts between July 2021 and January 2022 through the establishment of a technical working group under the Aviation Safety Advisory Panel.

We then invited public comment on the draft roadmap. The consultation was open from 8 March to 19 April 2022.

The roadmap has been developed through this collaborative process to make sure the activities outlined will best support the ambitions of industry while ensuring a safe environment for aviation in Australia.

Reporting

As the RPAS and AAM industries evolve, the priorities of industry are expected to change in response to new and developing technologies and new operational use cases.

For example, the expected timelines shown in the roadmap may not keep pace with industry and technology developments. So it is important that it is reviewed regularly to make sure it continues to reflect the needs of industry.

CASA is committed to undertaking a review of the roadmap every 18 months in consultation with industry. This will include reporting on the activities already begun or completed along with proposed changes to the roadmap.

In addition, CASA will continue to consult with industry on specific roadmap activities. We will also use coordinated approaches like 'regulatory sandboxes' to facilitate innovative thinking and regulatory arrangements.

The roadmap

The roadmap has been developed using 6 regulatory areas across 4 time horizons. Details on each of the regulatory areas discussed in the roadmap can be found in the interactive version available at www.casa.gov.au/rpas-aam-roadmap



Roadmap activities

Immediate term (2022 to 2023)

Aircraft and aircraft systems

Publish acceptable industry consensus standards for piloted AAM.

Review applicable maintenance policies for AAM.

Review international frameworks, standards and methods for certification and assurance of RPAS. This includes consideration of adoption of FAA durability and reliability method for low risk RPAS.

Review applicable maintenance policies for RPAS.

Publish guidance on the evidence requirements from the OEM versus the operator for RPAS operational approvals.

Airspace and traffic management

Through the AFAF, develop a transparent, consistent, and scalable method to manage Australian airspace that supports RPAS and AAM integration.

Research how existing separation standards may apply to RPAS and AAM. Identify future changes required including conspicuity and equipage considerations.

Review existing flight rules against the future needs for RPAS and AAM.

Work with DITRDC and Airservices Australia to develop a regulatory oversight framework for UTM.

Operations

Develop and publish further guidance material for RPAS operations already enabled in existing regulation including acceptable means of compliance.

Develop and publish guidance material for approval of research and development operations.

Review and publish guidance on the carriage of dangerous goods by RPAS.

Implement regulatory changes from the post implementation review of CASR Part 101.

Conduct a gap analysis of CASR parts to identify regulatory changes required to support RPAS and AAM operations.

Publish more standard scenarios and SORA guidance for low risk RPAS operations and emergency services.

Talk with model aircraft, drone sport and recreation flyers to find opportunities for improved collaboration and consultation.

Infrastructure

Develop guidance material, design requirements and regulations for vertiports and other infrastructure required to support AAM operations.

Develop guidance for infrastructure required to support research and development activities.

Work collaboratively across government to understand and establish spectrum requirements for RPAS and AAM.

Work with DITRDC to set up the National drone detection network and support all safety aspects of the infrastructure planning framework.

People

Review current RePL requirements and consider renewal or currency requirements, class and type ratings, and endorsements.

Engage with international aviation safety regulators to identify options for aligning RPAS training and licensing requirements.

Review the competency and training requirements of operationally critical people involved in RPAS and AAM operations to identify future regulatory change needs.

Consider medical standards for RPAS and AAM operators.

Review and implement an alternative training and examination pathway for remote pilots conducting beyond visual line of sight operations.

Implement accreditation requirements for model aircraft users.

Safety and security

Publish SMS guidance materials for RPAS operations.

Set up RPAS focused safety education activities to promote CASA's 'just culture' philosophy.

Engage with law enforcement and other agencies to build understanding of their role in the enforcement of RPAS regulations.

Consider data collection and uses to improve safety results.

Engage with other government agencies to understand and find RPAS and AAM cybersecurity risks.

Publish acceptable cybersecurity standards for RPAS and AAM.

Supporting Activities

Regulatory sandboxes

CASA will use regulatory sandboxes to work with industry to test and understand novel products, services and concepts, and identify and assess new risks, in a safe, controlled and time-limited environment to inform development of RPAS and AAM regulations.

Digital enablement

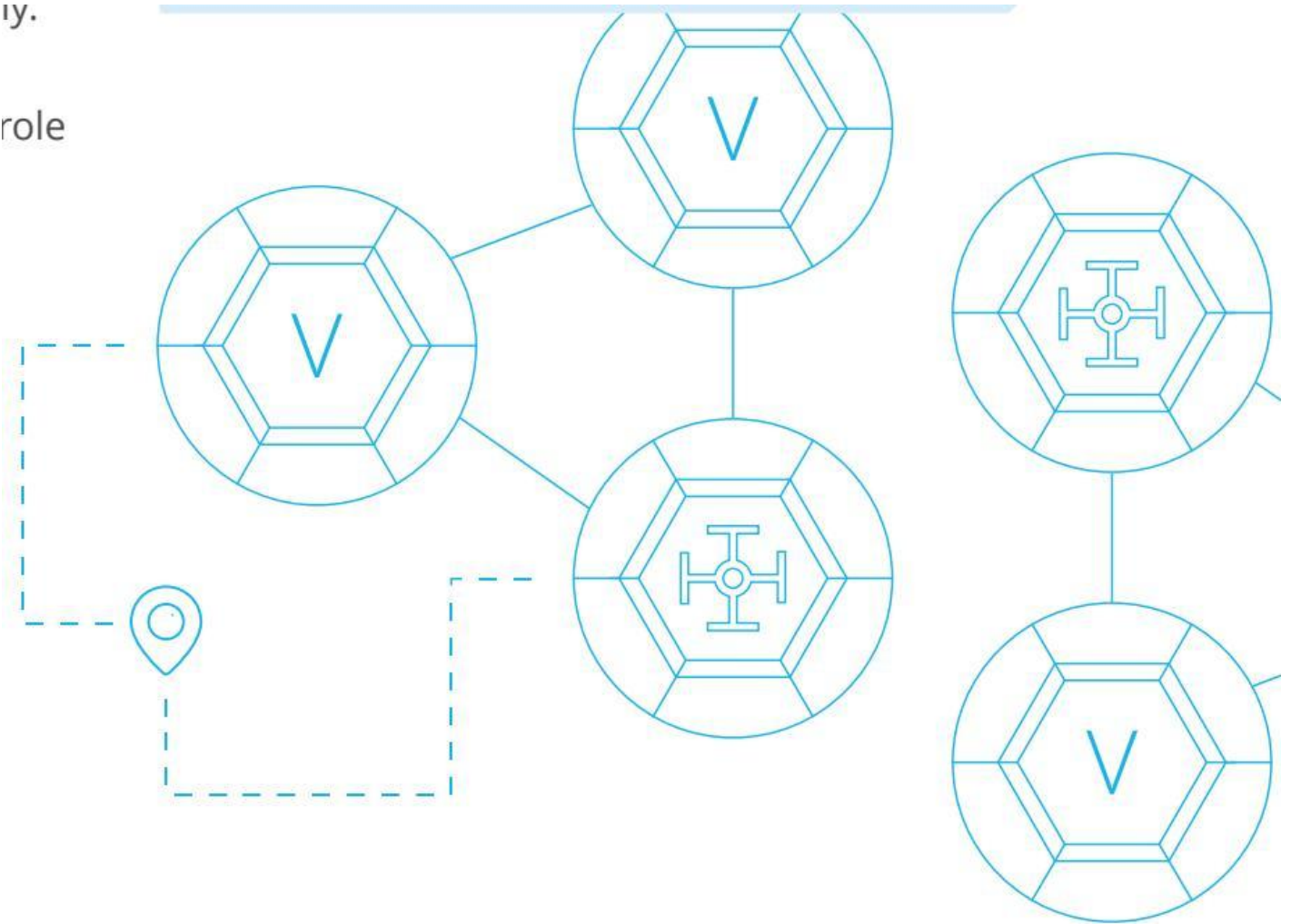
Digital tools and technologies will be used across all regulatory areas to reduce application and assessment effort and improve processing times. Digital infrastructure and data reliability and capabilities will be developed to support RPAS and AAM technologies.

Community

Alongside industry and other government agencies, CASA will continue to play a role in building community understanding and promoting engagement between operators and the communities in which they operate.

ly.

role



Near term (2023 to 2026)

Aircraft and aircraft systems

Publish acceptable industry consensus standards for single aircraft single operator, and multiple aircraft single operator for AAM.

Publish acceptable industry consensus standards for remotely piloted AAM.

Publish acceptable industry consensus standards for multiple aircraft, single operator for RPAS.

Airspace and traffic management

Develop an implementation plan for airspace modernisation that is flexible, scalable and supports all airspace users.

Begin initial implementation to ease identified risks and support RPAS and AAM airspace integration.

Carry out an analysis to understand the crossover point from self-separation to a 'managed' environment.

Consider new separation standards, that use new technologies, for RPAS-to-RPAS and RPAS-to-AAM.

Consider standardised requirements for RPAS in controlled airspace.

Consult with all airspace users on the appropriateness of proposed rules for RPAS and AAM.

Develop standards and capabilities to support the implementation of low level traffic management systems for RPAS.

Consider regulatory requirements for integrating air traffic management systems.

Develop airspace requirements for vertiport operations.

Operations

Develop guidance on the operational approval requirements for AAM operations, including operations which are remotely piloted and pilot-on-board.

Develop standards for international RPAS and AAM operations.

Review existing approval and oversight processes to make sure they are proportionate to the risk and complexity of operational activities.

Infrastructure

Implement a regulatory framework to support RPAS and AAM infrastructure (for example vertiports, vertipads).

Develop certification requirements for infrastructure and infrastructure related equipment.

Develop a regulatory framework for the operation of research and development infrastructure.

People

Implement regulatory and system changes following the review of RePL requirements.

Align RPAS training and licensing requirements with international standards.

Update regulations to support new licensing requirements.

Implement standard training and licensing requirements for personnel involved in piloted passenger carrying AAM.

Review radio operator competency requirements for remote pilots.

Safety and security

Develop SMS and human factor policies that are proportionate to risk and complexity.

Consider and implement a tiered requirement for SMS for RPAS and AAM operators.

Coordinate with enforcement agencies and revise CASA's enforcement manual.

Work with DITRDC to provide transparent, reporting on RPAS enforcement actions to promote corrective actions and lessons learned.

Continue to work with industry associations to promote key safety lessons from available data.

Medium term (2026 to 2031)

Aircraft and aircraft systems

Make sure certification standards are internationally harmonised for AAM.

Publish acceptable industry consensus standards for highly automated RPAS.

Airspace and traffic management

Continue airspace modernisation to support RPAS and AAM integration into all airspace environments.

Develop new separation requirements to support and use improving technologies such as autonomy.

Review and update rulesets with respect to integration, global approaches, and requirements for increasing levels of autonomy.

Develop an integrated traffic management framework to support all airspace users.

Operations

Integrate RPAS operational requirements into relevant CASR parts for operations outside the scope of Part 101.

Apply changes required to support operational requirements for AAM.

Mature risk calculation methods used for determining operational categories using data, artificial intelligence and/ or quantitative methods.

Infrastructure

Regulate operator training and requirements for infrastructure operators.

Regulate equipage requirements for infrastructure operators.

People

Develop a specific set of outcome-based standards for RePL training on large type RPAS.

Implement standard training and licensing requirements for personnel involved in remotely piloted and optionally piloted passenger carrying AAM.

Introduce updated licensing requirements needed for RPAS and AAM operations factoring in the increasing levels of automation and autonomy.

Safety and security

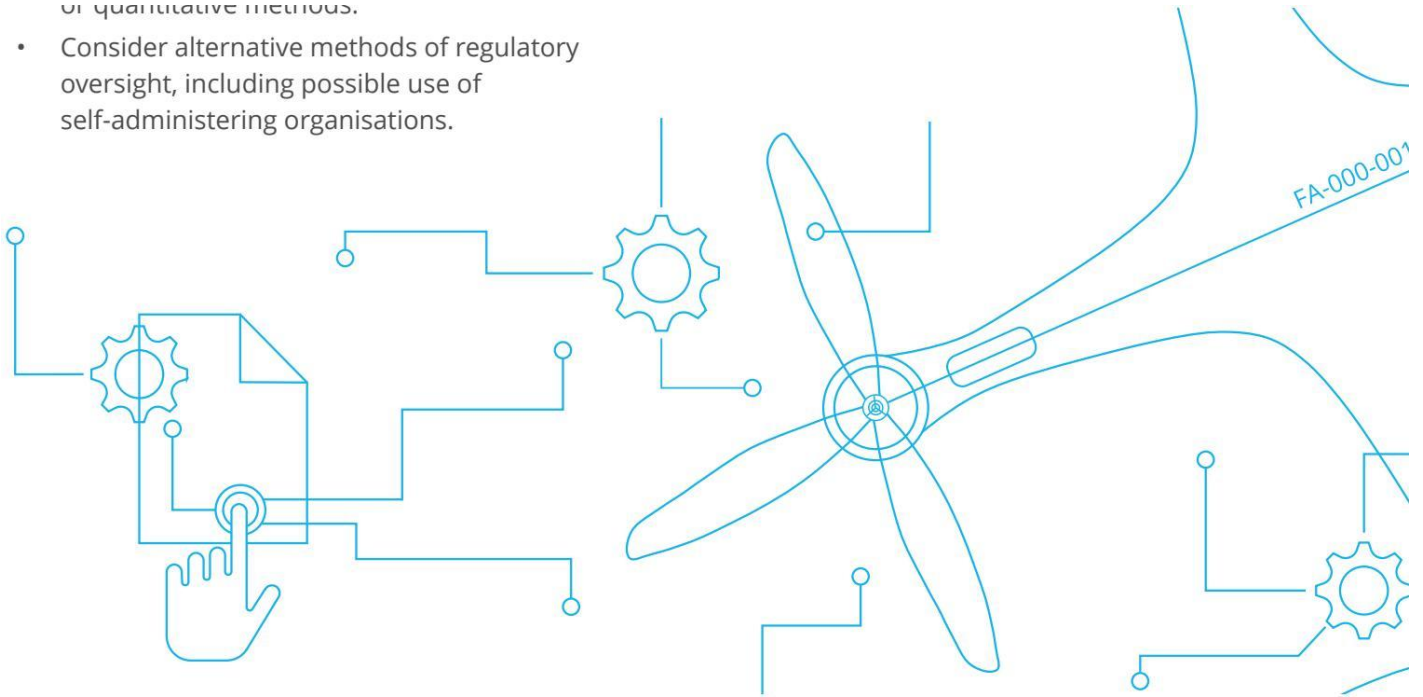
Apply streamlined processes for the approval of SMS for RPAS and AAM operators.

Continue to promote an understanding of 'just culture' across the RPAS and AAM sectors.

Coordinate the approach to enforcement between enforcement authorities.

or quantitative methods.

- Consider alternative methods of regulatory oversight, including possible use of self-administering organisations.



Civil Aviation Safety Authority The RPAS and AAM Strategic Regulatory Roadmap 11

Long term (2031 to 2036)

Aircraft and aircraft systems

Publish acceptable industry consensus standards for highly automated AAM.

Airspace and traffic management

Develop and implement airspace structures to support all airspace users in a seamless airspace environment.

Develop standards and capabilities to support cooperative participation and levels of self-separation between all airspace users.

Infrastructure

Mature regulations and approval processes to support RPAS and AAM related infrastructure.

People

Implement standard licensing and training requirements for AAM dispatchers.

Safety and security

Continue to carry out safety education and promotion activities to embed a positive safety culture.



Glossary

AAM	Advanced air mobility
AFAF	Australian future airspace framework
CASA	Civil Aviation Safety Authority
CASR	Civil Aviation Safety Regulations

DITRDC	Department of Infrastructure, Transport, Regional Development and Communications
NEAT	National Emerging Aviation Technologies
OEM	Original equipment manufacturer
RAM	Regional air mobility
RePL	Remote pilot licence
RPAS	Remotely piloted aircraft systems
SMS	Safety management system
SORA	Specific operations risk assessment
TWG	Technical working group
UAM	Urban air mobility
UTM	Uncrewed aircraft systems traffic management

CASA National Headquarters

Aviation House 16 Furzer Street Phillip ACT 2606

GPO Box 2005
Canberra ACT 2601

☐☐ #4

☐ Admin ☐☐ 2026-05-30 23:13:55 CST

☐ Admin ☐☐ 2026-05-30 23:33:29 CST